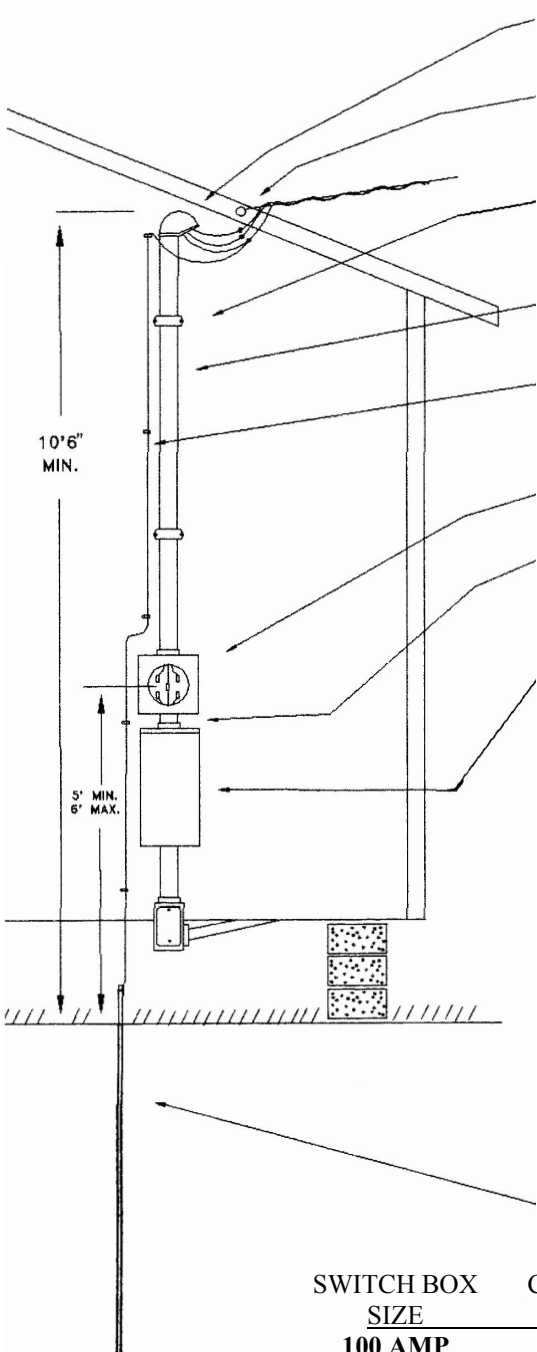


**DOUBLE WIDE MANUFACTURED HOME ELECTRICAL REQUIREMENTS**

THE METER LOCATION SHALL BE PRE-APPROVED BY PCEPA ENGINEER. ELECTRICAL ENTRANCE IS PERMITTED TO BE MOUNTED ON THE SIDE OF THE HOUSE. IF THE CLEARANCE FROM GROUND TO WEATHERHEAD IS LESS THAN **10' 6"** **PIPERISER TYPE INSTALLATION REQUIRED.**



- GALVANIZED METAL WEATHERHEAD WITH SERVICE ENTRANCE CONDUCTORS EXTENDED 18" OUT WEATHERHEAD
- 5/8" EYE BOLT SUPPLIED BY PCEPA SOLIDLY INSTALLED ABOVE AND WITHIN 2' OF WEATHERHEAD
- NON-CORROSIVE METAL CONDUIT STRAPS
- GALVANIZED RIGID METAL CONDUIT (NO EXCEPTION)
- #4 BARE COPPER GROUND WIRE** EXTENDED UNCUT TO WEATHERHEAD ON OUTSIDE OF CONDUIT AND METER BASE
- METER BASE SUPPLIED BY PCEPA
- GALVANIZED RIGID METAL CONDUIT NIPPLE (NO EXCEPTIONS)
- WEATHERPROOF METAL DISCONNECT BOX WITH MAIN BREAKER OR FUSED DISCONNECT
- \* DISCONNECT BOX **MUST** BE USED IF THE LENGTH FROM THE METER BASE TO THE INSIDE SWITCHBOX IS MORE THAN **25'** OR IF ANY PVC CONDUIT IS USED BETWEEN THE OUTSIDE DISCONNECT BOX AND INSIDE SWITCHBOX.
- NOTE:** PVC CONDUIT MUST BE **GRAY SCHEDULE 40** AND MUST INCLUDE AN ADDITIONAL **#6 GREEN INSULATED EQUIPMENT GROUND WIRE.**
- \* DISCONNECT BOX **NOT** REQUIRED IF METAL CONDUIT IS USED **ALL** THE WAY INTO THE SWITCHBOX. (THIS USUALLY INVOLVES REPLACING PVC STUB PIPE INSTALLED AT THE FACTORY)
- RIGID GALVANIZED CONDUIT MUST BE USED WHERE EXPOSED TO THE WEATHER.
- 8' GROUND ROD** WITH APPROVED GROUND ROD CLAMP

SWITCH BOX SIZE	CONDUIT SIZE	HOT WIRE SIZE	NEUTRAL SIZE	BARE GROUNDING
<b>100 AMP</b>	1 1/4 "	2 #2	1#4	1#4
<b>200 AMP</b>	2"	2#3/0	1#2	1#4

ONLY **COPPER WIRE (TYPE THHN OR THWN)** ALLOWED

WIRES AT THE WEATHERHEAD MUST HAVE A MINIMUM 3' CLEARANCE FROM ANY WINDOW OR DOOR OPENING  
OWNER MUST GET 911 ADDRESS AND REGISTRATION NUMBER FROM THE TAX ACCESSOR'S OFFICE