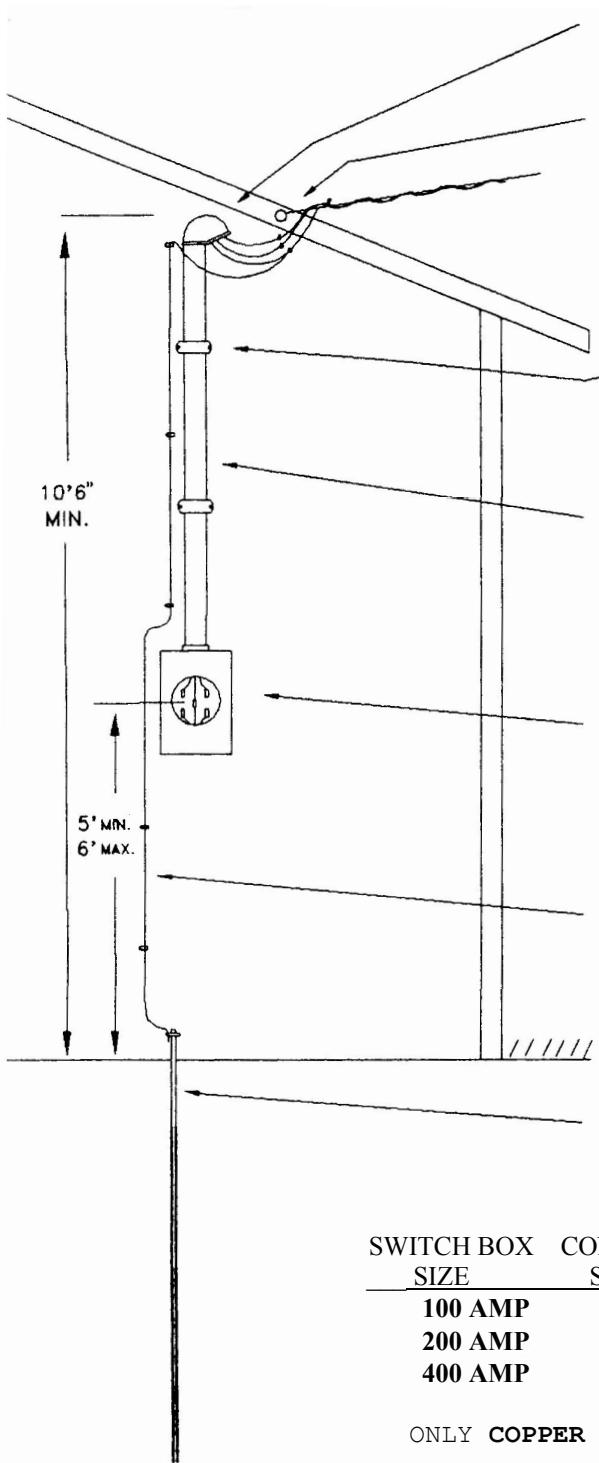


**EXISTING OR NEW HOUSE ELECTRICAL REQUIREMENTS**

METER LOCATION MUST BE PRE-APPROVED BY PCEPA ENGINEER. IF THE CLEARANCE FROM GROUND TO WEATHERHEAD IS LESS THAN **10' 6"** **PIPERISER TYPE INSTALLATION REQUIRED.**



GALVANIZED METAL WEATHERHEAD WITH SERVICE ENTRANCE CONDUCTORS EXTENDED 18" OUT WEATHERHEAD

5/8" EYE BOLT SUPPLIED BY PCEPA SOLIDLY INSTALLED ABOVE AND WITHIN 2' OF WEATHERHEAD

NON-CORROSIVE METAL CONDUIT STRAPS

GALVANIZED RIGID METAL CONDUIT (NO EXCEPTION)

METER BASE SUPPLIED BY PCEPA

MUST USE METAL CONDUIT BETWEEN METER BASE AND SWITCHBOX

**BARE COPPER GROUNDING WIRE** EXTENDED UNCUT TO WEATHERHEAD ON OUTSIDE OF CONDUIT AND METER BASE

**8' GROUND ROD** WITH APPROVED GROUND ROD CLAMP

SWITCH BOX SIZE	CONDUIT SIZE	HOT WIRE SIZE	NEUTRAL SIZE	BARE GROUNDING WIRE
<b>100 AMP</b>	1 1/4 "	2 #2	1#4	1#4
<b>200 AMP</b>	2"	2#3/0	1#2	1#4
<b>400 AMP</b>	2 1/2"	2#500	1#250	1#1/0

ONLY **COPPER WIRE (THHN OR THWN)** ALLOWED

WIRES AT THE WEATHERHEAD MUST HAVE A MINIMUM 3' CLEARANCE FROM ANY WINDOW OR DOOR OPENING