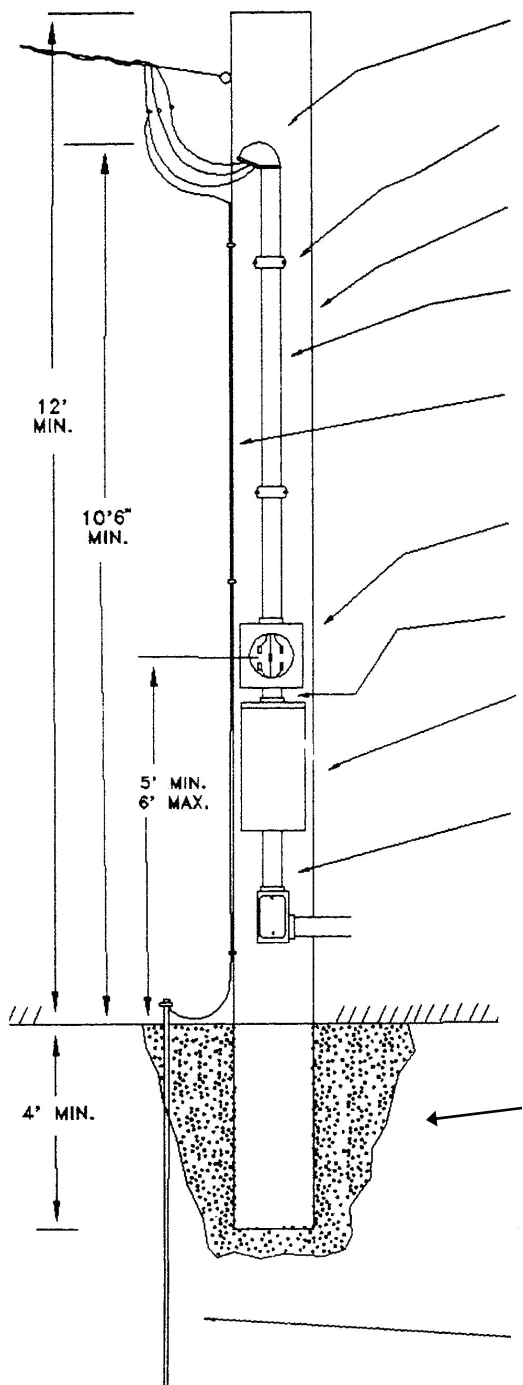


SINGLE WIDE MOBILE HOME ELECTRICAL REQUIREMENTS

THE METER LOCATION SHALL BE PRE-APPROVED BY PCEPA ENGINEER



GALVANIZED METAL WEATHERHEAD WITH SERVICE ENTRANCE CONDUCTORS EXTENDED 18" OUT WEATHERHEAD

NON-CORROSIVE METAL CONDUIT STRAPS

TREATED WOOD POLE - MINIMUM OF 16' LONG
12' OUT OF GROUND , 4' IN GROUND
6" DIAMETER ROUND OR 6" X 6" SQUARE

GALVANIZED RIGID METAL CONDUIT (NO EXCEPTION)

#4 BARE COPPER GROUNDING WIRE EXTENDED UNCUT TO WEATHERHEAD ON OUTSIDE OF CONDUIT AND METER BASE

METER BASE SUPPLIED BY PCEPA

GALVANIZED RIGID METAL CONDUIT NIPPLE (NO EXCEPTIONS)

WEATHERPROOF METAL BOX WITH MAIN BREAKER OR FUSED DISCONNECT

IF PVC CONDUIT IS USED MUST BE **GRAY SCHEDULE 40** AND MUST INCLUDE AN ADDITIONAL **#6 GREEN INSULATED EQUIPMENT GROUND WIRE**. PVC CONDUIT CAN ONLY BE USED ON THE LOAD SIDE OF THE DISCONNECT BOX.

FOR **100AMP** OR SMALLER **SERVICE ENTRANCE CABLE (TYPE SE)** IS ALLOWED FROM THE DISCONNECT BOX TO INSIDE SWITCHBOX

BE SURE TO BRACE, GUY, OR CONCRETE SERVICE POLE

8' GROUND ROD WITH APPROVED GROUND ROD CLAMP

SWITCH BOX SIZE	CONDUIT SIZE	HOT WIRE SIZE	NEUTRAL SIZE	BARE GROUNDING
60AMP	1"	2#6	1#6	1#4
100 AMP	1 1/4"	2 #2	1#4	1#4
200 AMP	2"	2#3/0	1#2	1#4

ONLY **COPPER WIRE (TYPE THHN OR THWN)** ALLOWED

WIRES AT THE WEATHERHEAD MUST HAVE A MINIMUM 3' CLEARANCE FROM ANY WINDOW OR DOOR OPENING

OWNER MUST GET 911 ADDRESS AND REGISTRATION NUMBER FROM TAX ACCESSOR'S OFFICE